



Klondike® Siding

Installation, Flashings and Details Guide



Klondike® Siding Wall Panels
Installation Guide for Klondike® Siding

Table of Contents
Klondike® Siding Installation Guide

Introduction, Delivery, Handling & Storage,
and Safety Considerations..... 2

Minimum Recommended Tools & Equipment..... 3

Typical Wall Conditions..... 4

Klondike Siding Panel, Optional Punching..... 5

Fastener Selection, Fastener Placement..... 6

Typical Building Corner..... 7

Eave Detail..... 8

Vertical Splice..... 9

Base Detail..... 10

Base Trim.....11

Outside Corner..... 12

Outside Corner (with Starter)..... 13

Typical Inside Corner..... 14

Inside Corner..... 15

Inside Corner (with Starter)..... 16

Double Starter Trim.....17-18

Window..... 19

Window Details (Typical)..... 20

Door Details (Typical)..... 21



Introduction

In addition to weather tightness, long life, good looks and economy, ASC Building Products' Klondike Siding panels are designed with ease of installation as a primary consideration. This guide is intended to help the installer achieve a high level of quality in the finished product.

Manufacturing Locations:

Anchorage, Alaska
2441 Cinnabar Loop
Anchorage, AK 99507

For questions regarding Klondike Siding or the information contained within this installation guide, please do not hesitate to contact an ASC Building Products representative for assistance.

Important Notice

Be sure to read this manual in its entirety before beginning installation.

This manual is provided to the customers of ASC Building Products as a guide to assist in the installation of Klondike Siding panels. Use for any other purpose is prohibited. This manual remains the property of ASC Building Products.

These instructions contain suggested application procedures only and cannot replace the need for good common sense and experience. Responsibility for conformance to state and local building codes, as well as any other applicable project requirements rests with the installer, as does the responsibility to observe reasonable safety procedures.

ASC Building Products assumes no responsibility for any problems which might arise as a result of improper installation or any personal injury or property damage that may occur with the product's use.

Delivery, Handling and Storage

Always check the shipment upon delivery.

Check for damage and check material quantities against the shipping list. Note any damaged material or shortages at the time of delivery.

Store the panels and other materials in a dry, well ventilated area and away from traffic.

Elevate one end of the bundle so that any moisture that may have accumulated during shipping can run off. Be sure that air will be able to circulate freely around the bundles to avoid the build-up of moisture. Never store materials in direct contact with the ground.

Wear clean gloves when handling unpainted ZINCALUME[®]-coated panels or flashings to avoid discoloration. Rollforming die marks (which appear black), particularly at bends, will be visible.

Safety Considerations

Always wear proper clothing and safety attire.

Wear proper clothing when working with sheet metal in order to minimize the potential for cuts, abrasions, and other injuries. ASC Building Products recommends safety glasses and cut-resistant gloves and sleeves.

Use care when operating electrical and other power equipment.

Observe all manufacturer's safety recommendations

Minimum Recommended Tools & Equipment

Screw Gun:

Clutch type screw gun with depth locating nose piece allowing variable torque settings is recommended to ensure proper installation of the screws.

Snips:

For miscellaneous panel and flashing cutting requirements, three pairs of snips will be required for left edge, right edge, and centerline cuts.

Electrical Metal Shears:

Used for general metal cutting.

Note:

Some erectors prefer to use circular power saws with metal cutting or abrasive blades. While the use of power saws may be faster, there are some disadvantages that must be considered:

- (1) The edges of metal that have been saw cut are jagged, unsightly and are more likely to rust than sheared edges.*
- (2) Saw cutting will leave small particles of metal on the panel surface that will rust and damage the panel finish if not completely removed.*

Chalk Line:

Used to assist in the alignment of panels, flashings, etc.

Caulk:

Butyl or urethane sealant used to inhibit water infiltration.

Caulking Gun:

For miscellaneous caulking and sealing to inhibit water infiltration.

Blind Rivet Hand Tool:

Used for miscellaneous flashing and trim applications.

Marking Tools:

Indelible markers, pencils, or scratching tools.

Scratch Awl:

Used to mark the steel.

Utility Knife:

Used for miscellaneous cutting.

Electric Drill:

Used to drill holes such as those required for rivet installation.

String Line:

Used for general alignment and measuring.

Tape Measure:

25 foot minimum.

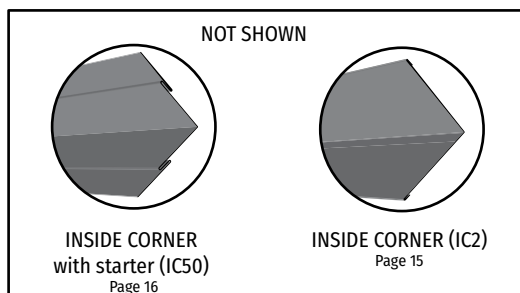
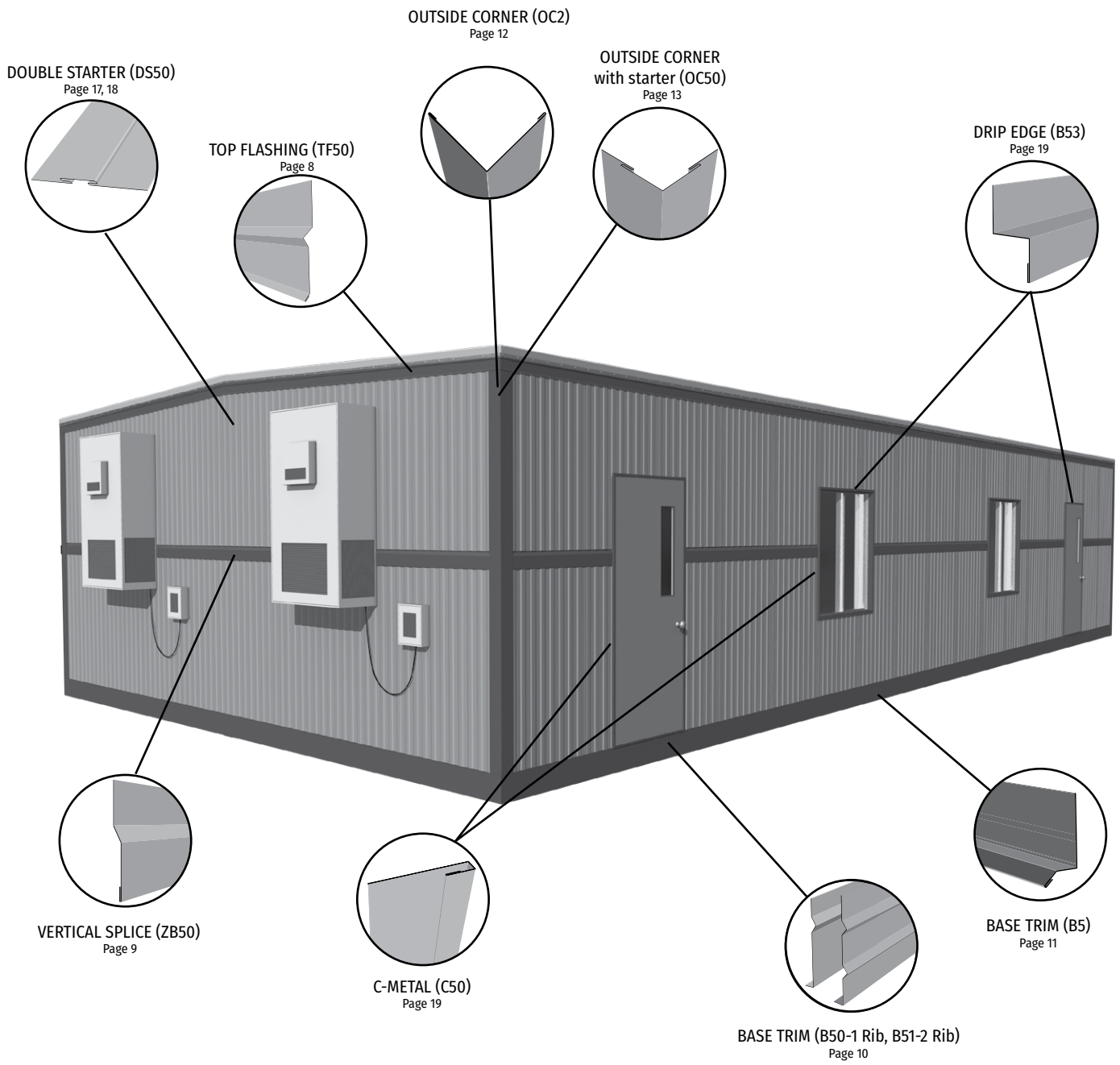
Locking Pliers:

Standard and "Duckbill" style for miscellaneous clamping and bending of parts.

Powered Stapler:

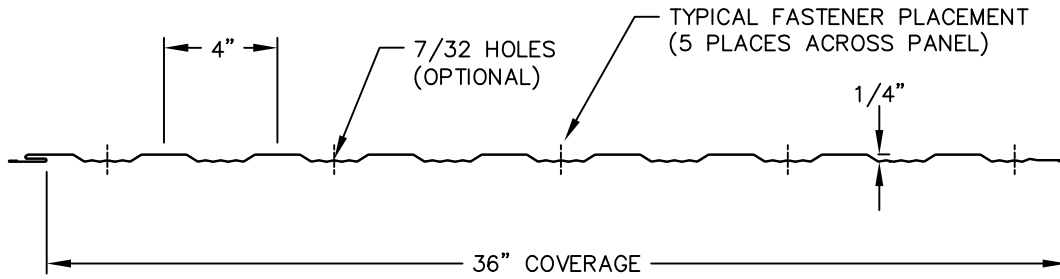
To temporarily attach flashings prior to installing panel/trim screws.

Typical Wall Conditions

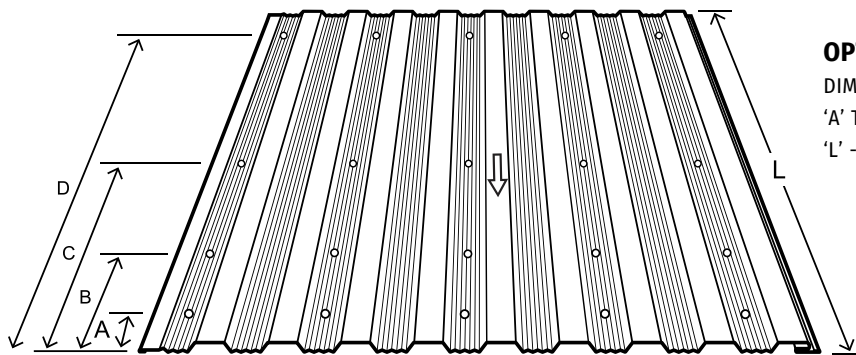


Klondike® Siding Wall Panels
Installation Guide for Klondike® Siding

Klondike Fastener Placement



Klondike Optional Punching

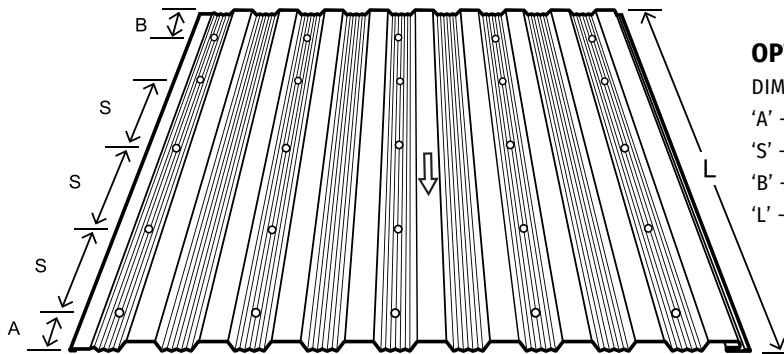


OPTION 1 - Variable Spacing

DIMENSION

'A' TO 'D' (ETC) - HOLE LOCATIONS, FROM LEADING EDGE

'L' - PANEL LENGTH



OPTION 2 - Uniform Spacing

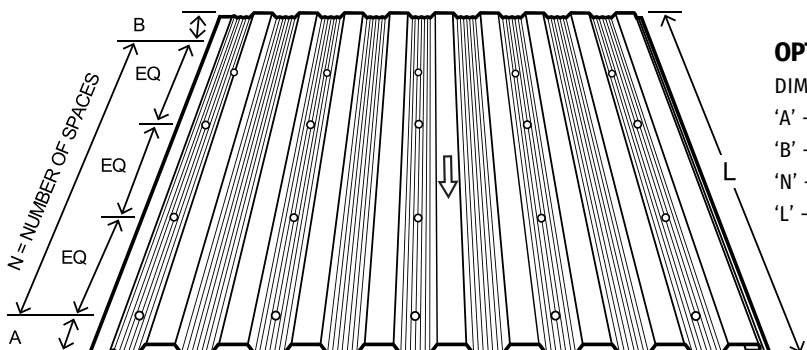
DIMENSION

'A' - HOLE LOCATION FROM LEADING EDGE

'S' - HOLE SPACING (REPEATING)

'B' - HOLE LOCATION, FROM TRAILING EDGE

'L' - PANEL LENGTH



OPTION 3 - Equal Spacing

DIMENSION







'A' - HOLE LOCATION FROM LEADING EDGE

'B' - HOLE LOCATION, FROM TRAILING EDGE

'N' - NUMBER OF EQUAL SPACES BETWEEN 'A' AND 'B'

'L' - PANEL LENGTH

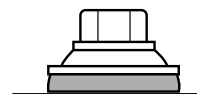
Fastener Selection

Fastener	Description	Use
	No. 9 x 1", 1-1/2", 2", 2-1/2", 3" Wood Screw 1/4" Hex Head	Panel to plywood, OSB, and dimensional lumber
	No. 10 x 1" Low Profile Wood Screw	Panel to plywood, OSB, and dimensional lumber
	No. 12 x 3/4" Stitch Screw 1/4" Hex Head (compatible with No. 9 Wood Screw)	Trim
	No. 14 x 7/8" Lap Self Driller 5/16" Hex Head	Trim
	STST-42 Stainless Steel Rivet 1/8 x 1/8	Trim-to-trim or trim-to-panel attachments
	No. 12 x 1" Self Driller 5/16" Hex Head	Panel to purlin or deck attachments

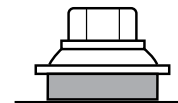
Notes

- The table above shows the Klondike Siding panel fasteners provided by ASC Building Products. Refer to the panel installation, flashing details, and fastener placement pages of this manual for specific fastener usage. See page 5 for fastener spacing.
- Panel attachment screws must be long enough to penetrate through the roof decking at least 3/8", or penetrate solid lumber at least one inch.
- All screws must be coated to provide protection against corrosion.
- Exposed fasteners should have sealing washers and be the same color as the parts they attach.
- Screws must be properly driven to ensure proper seal and holding strength. Do not under drive or overdrive the screws. Recommended drill speed is 2000 rpm. Use of a depth-sensing nosepiece will aid in properly driving screws.

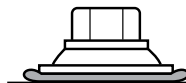
Proper Installation of Gasketed Fasteners



Correctly Driven

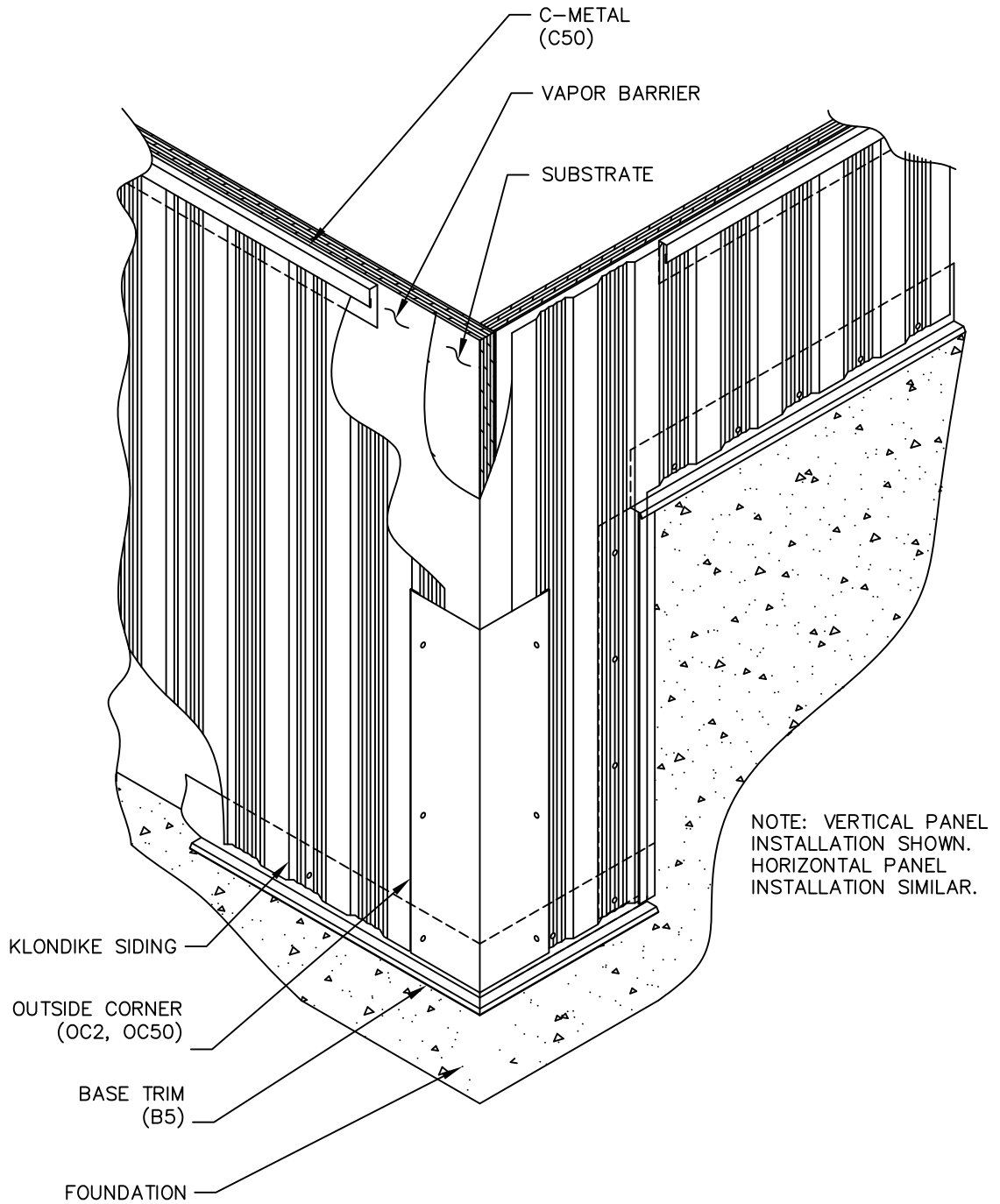


Under Driven

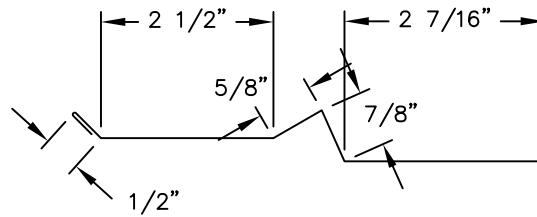


Over Driven

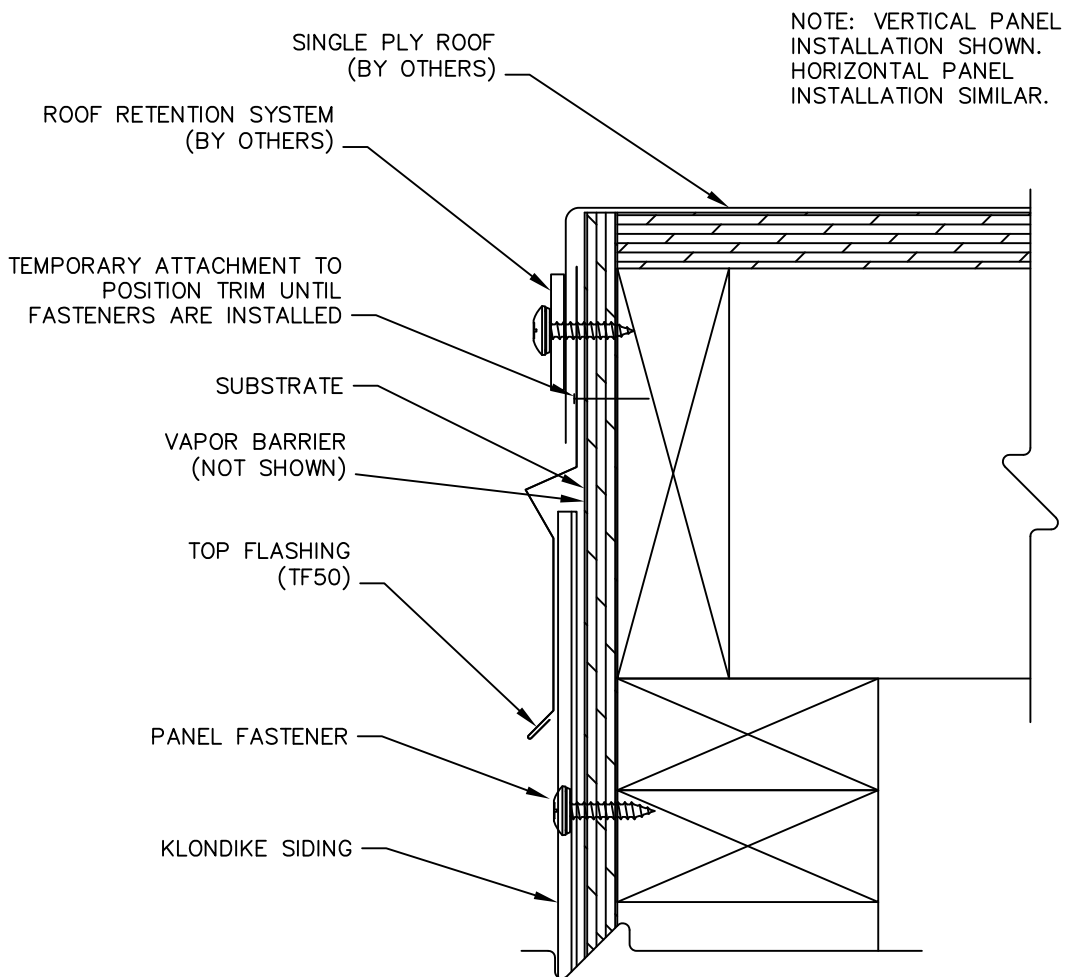
Typical Building Corner



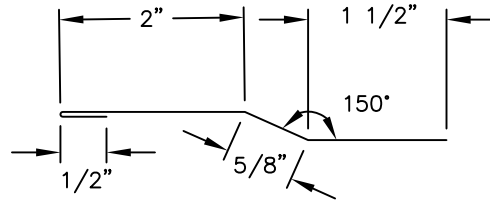
Eave Detail



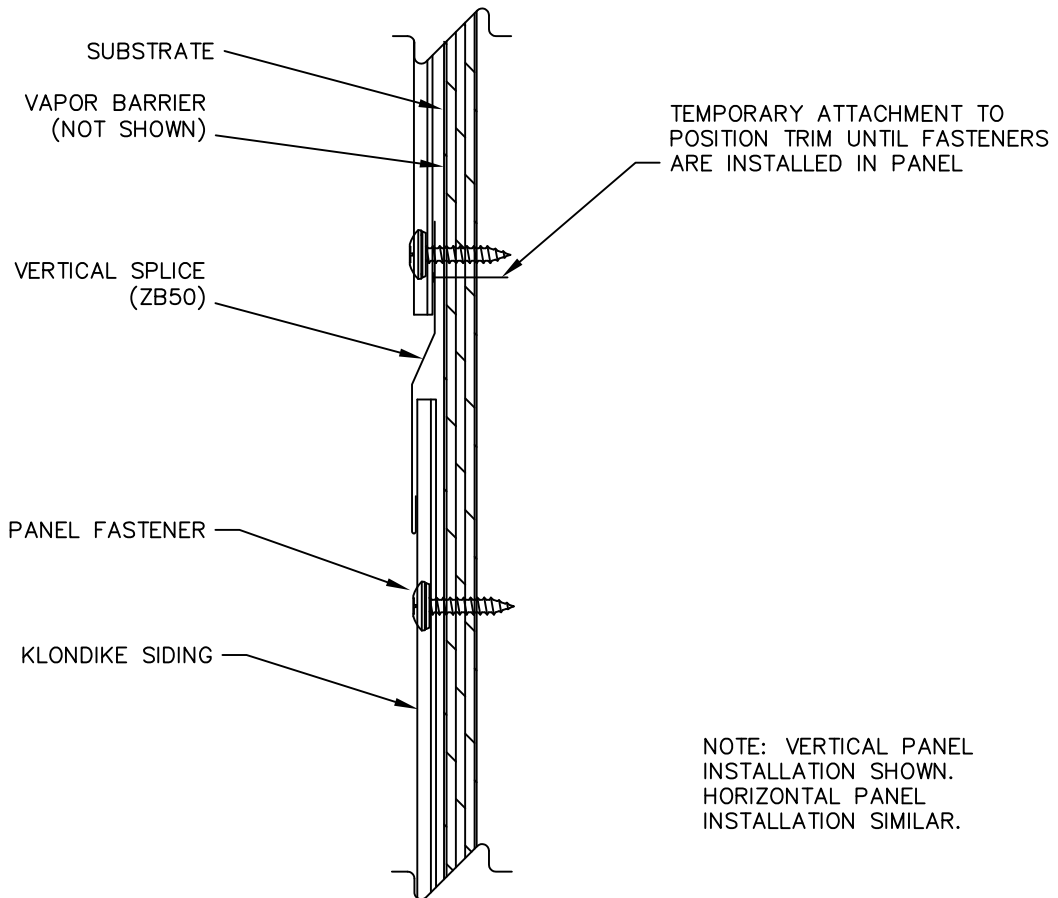
TF50



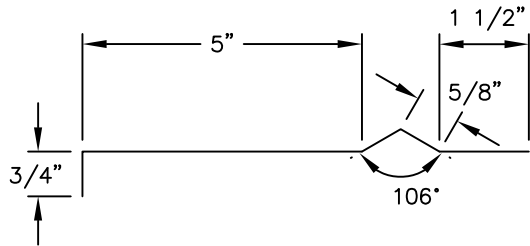
Vertical Splice



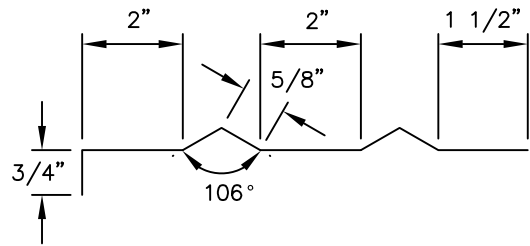
ZB50



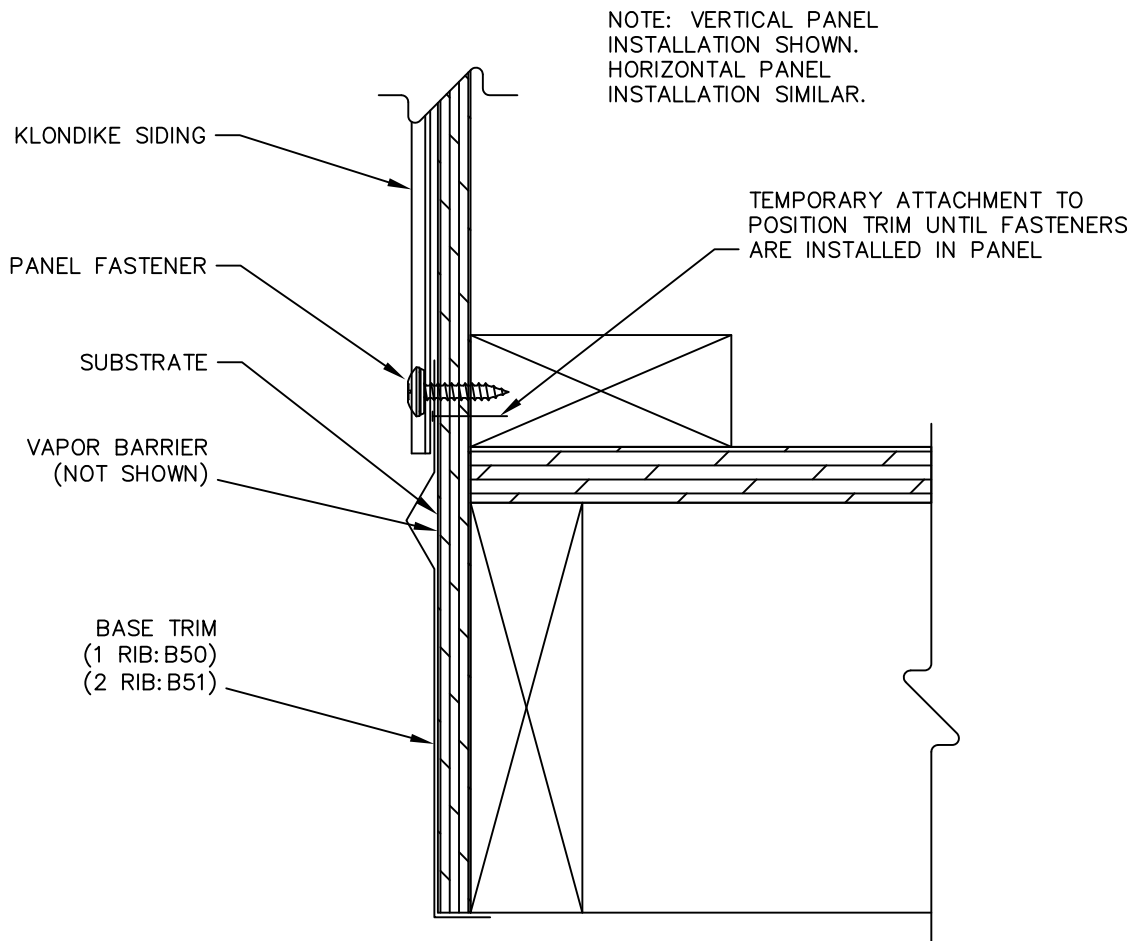
Base Detail



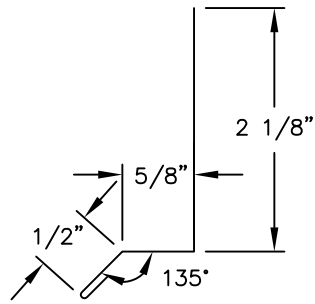
B50 (1 Rib)



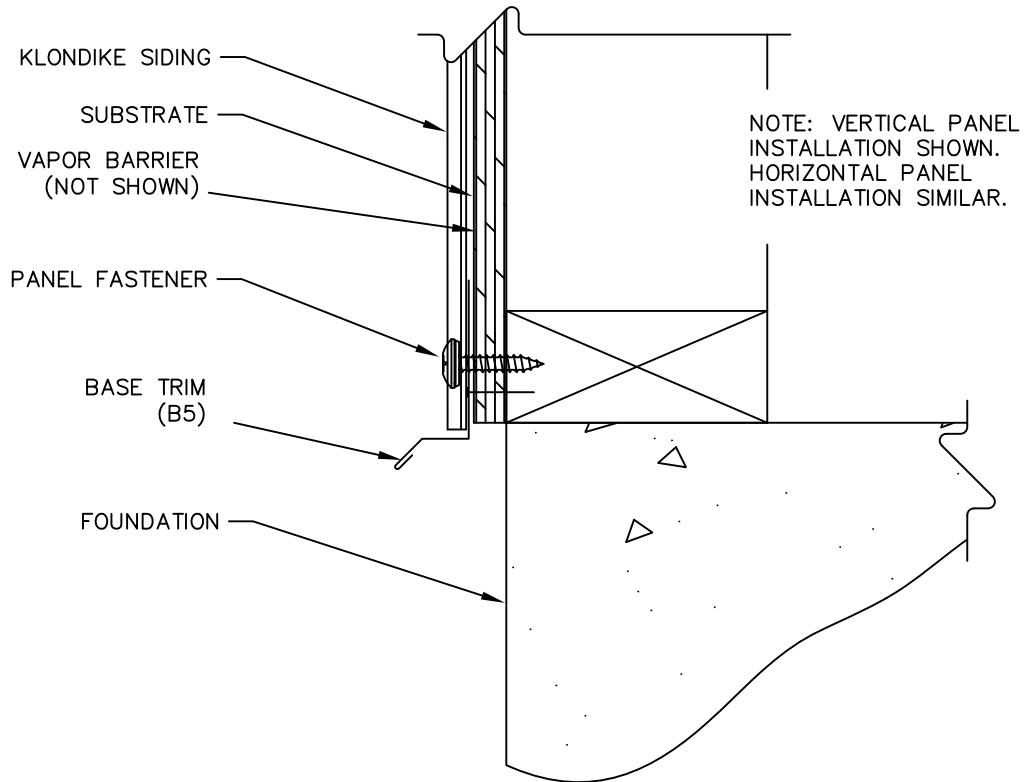
B51 (2 Rib)



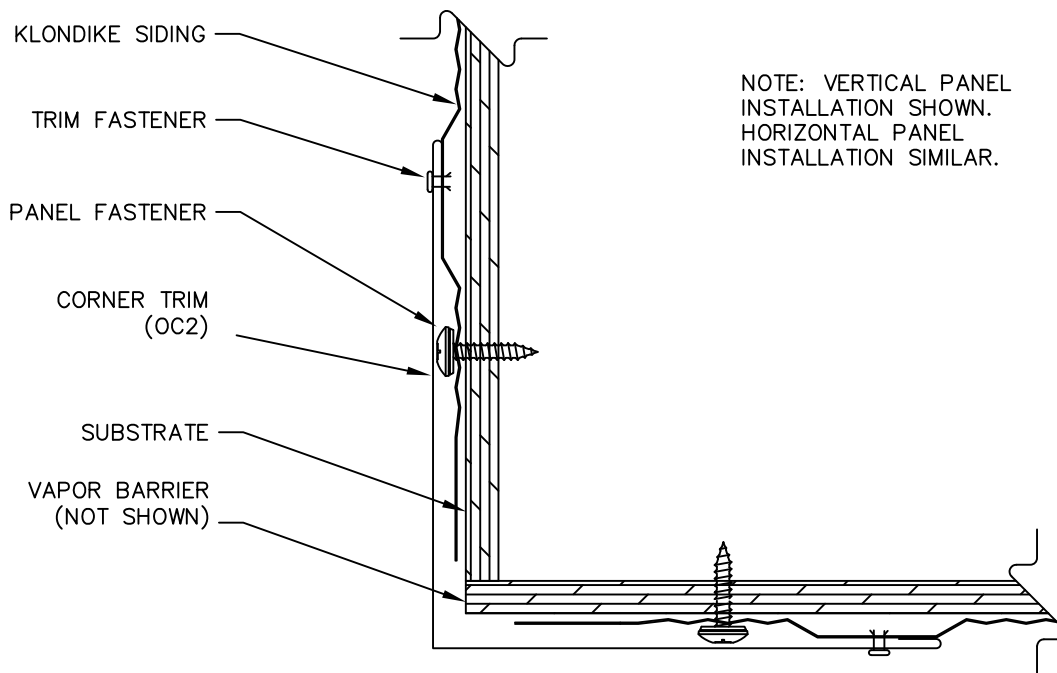
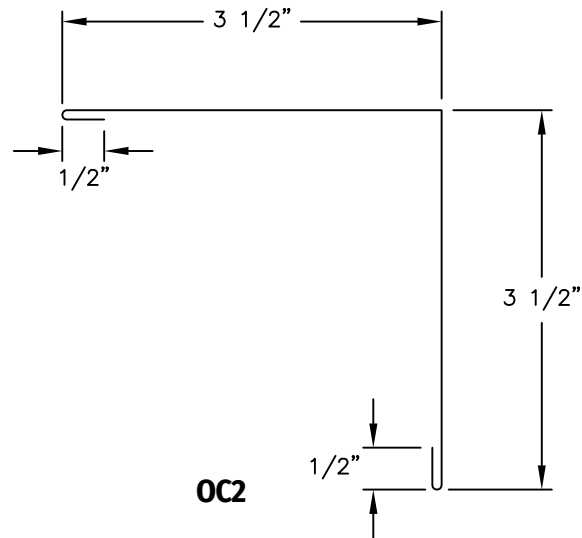
Base Trim



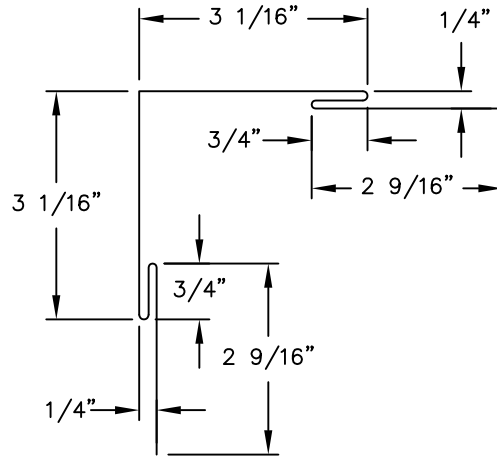
B5



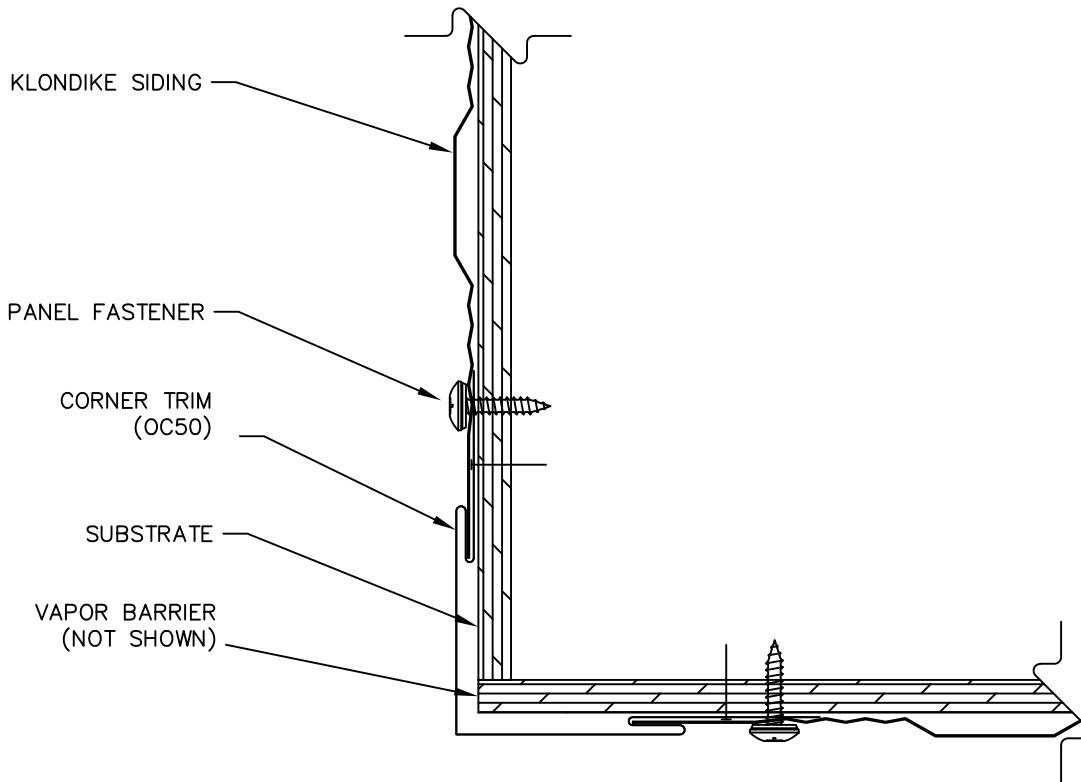
Outside Corner



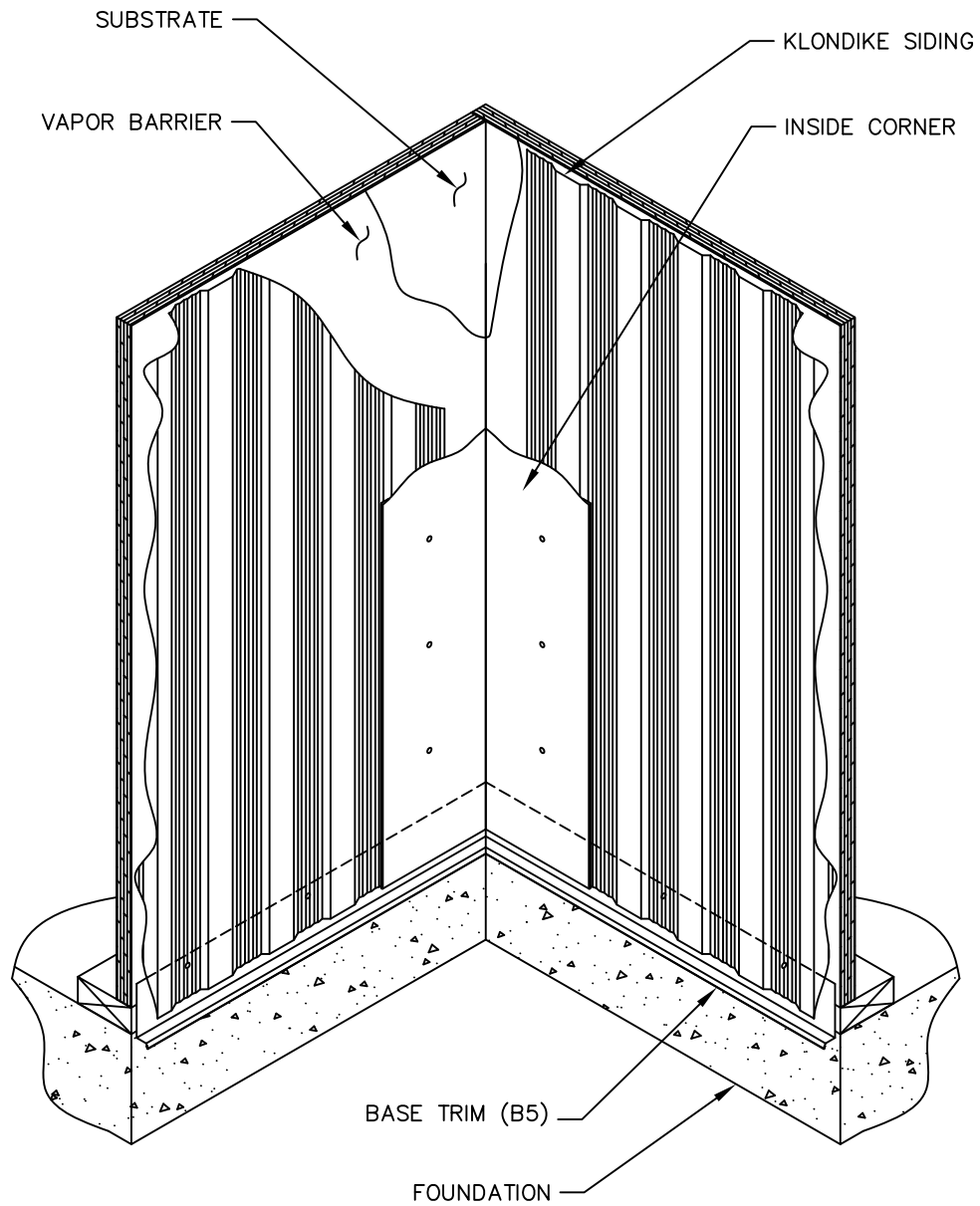
Outside Corner (with Starter)



OC50

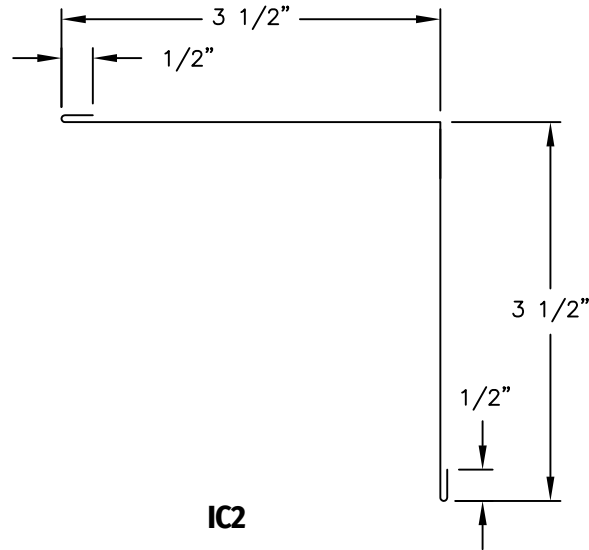


Typical Inside Corner

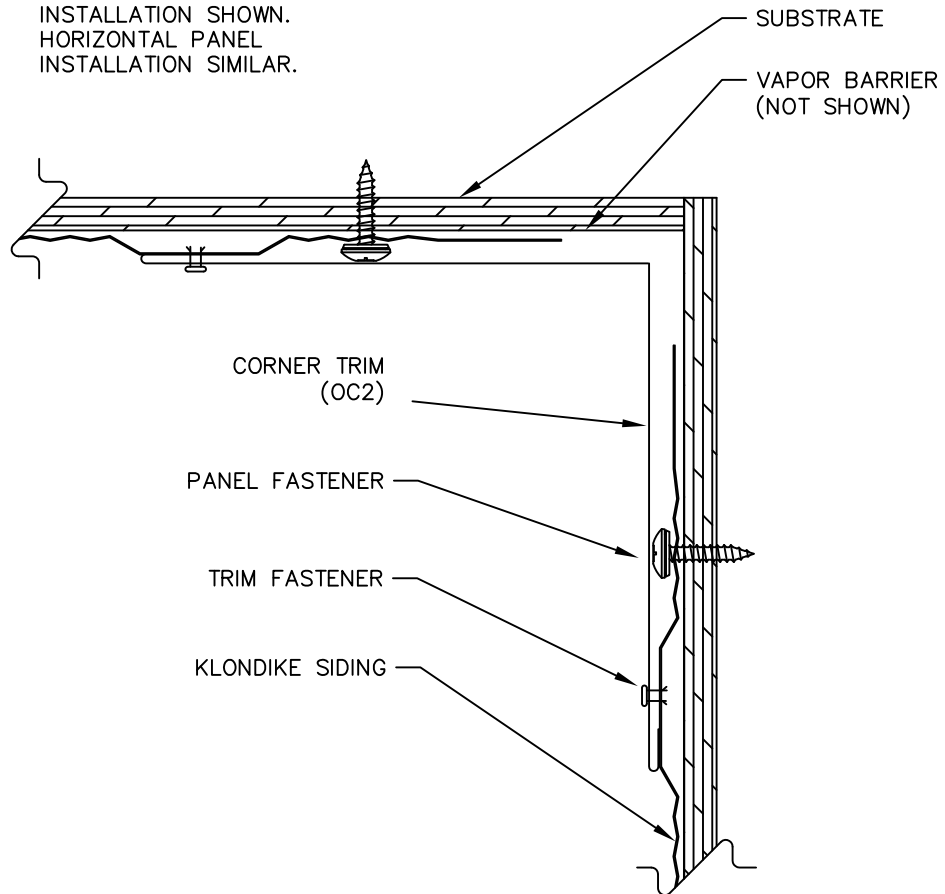


NOTE: VERTICAL PANEL
INSTALLATION SHOWN.
HORIZONTAL PANEL
INSTALLATION SIMILAR.

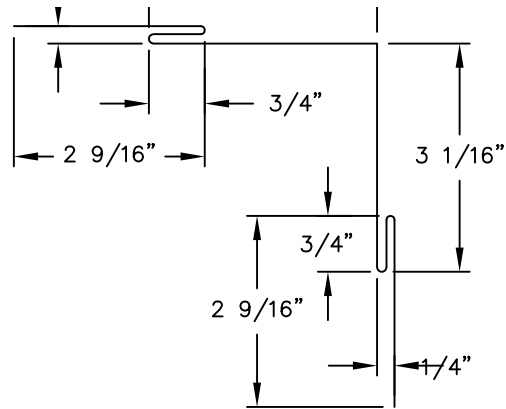
Inside Corner



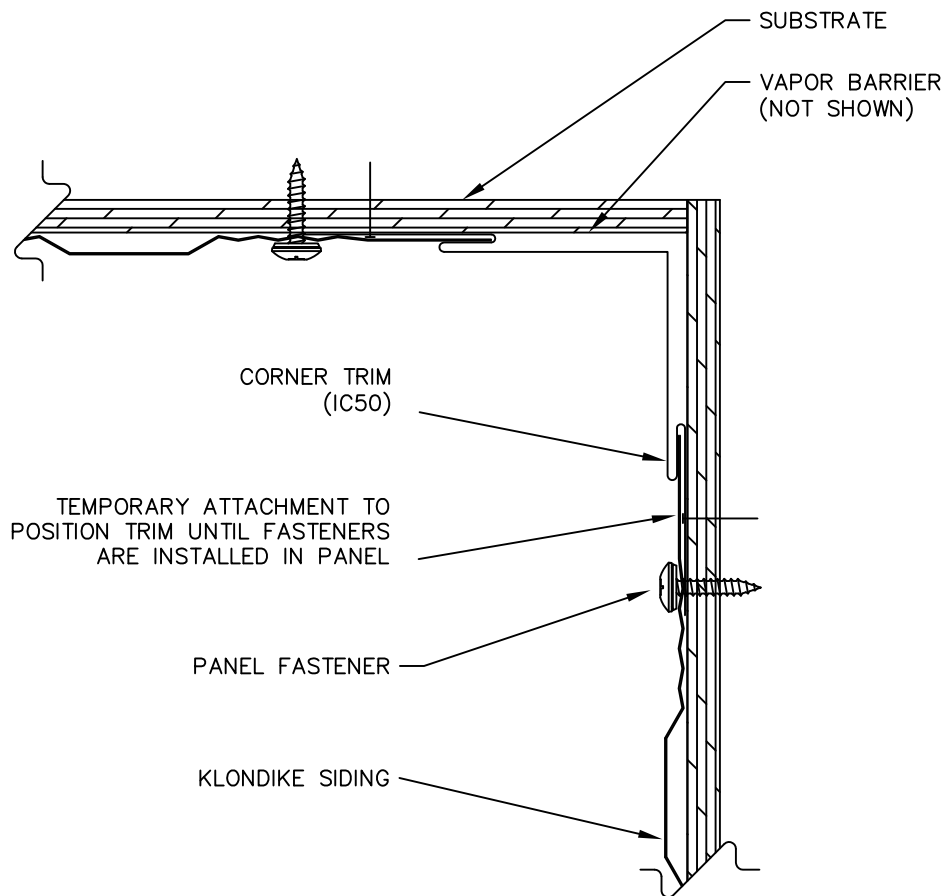
NOTE: VERTICAL PANEL
INSTALLATION SHOWN.
HORIZONTAL PANEL
INSTALLATION SIMILAR.



Inside Corner (with Starter)

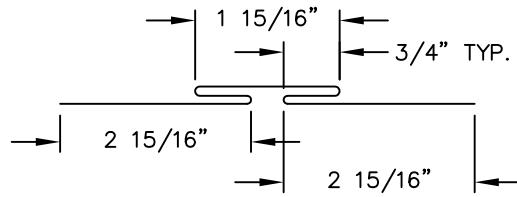


IC50

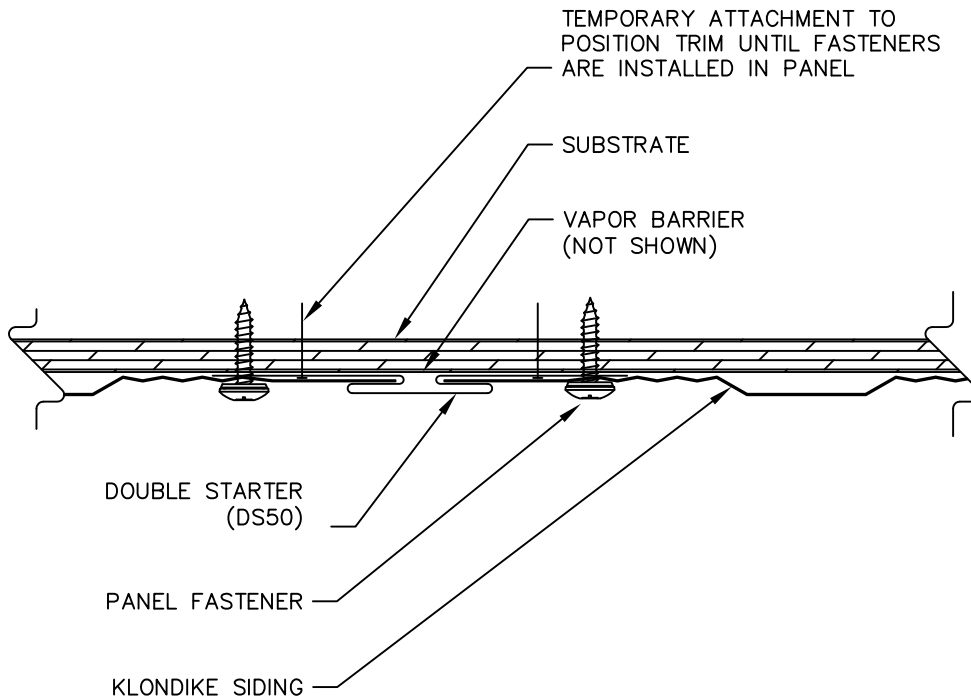


NOTE: THIS DETAIL APPLIES TO VERTICAL PANEL INSTALLATIONS ONLY.

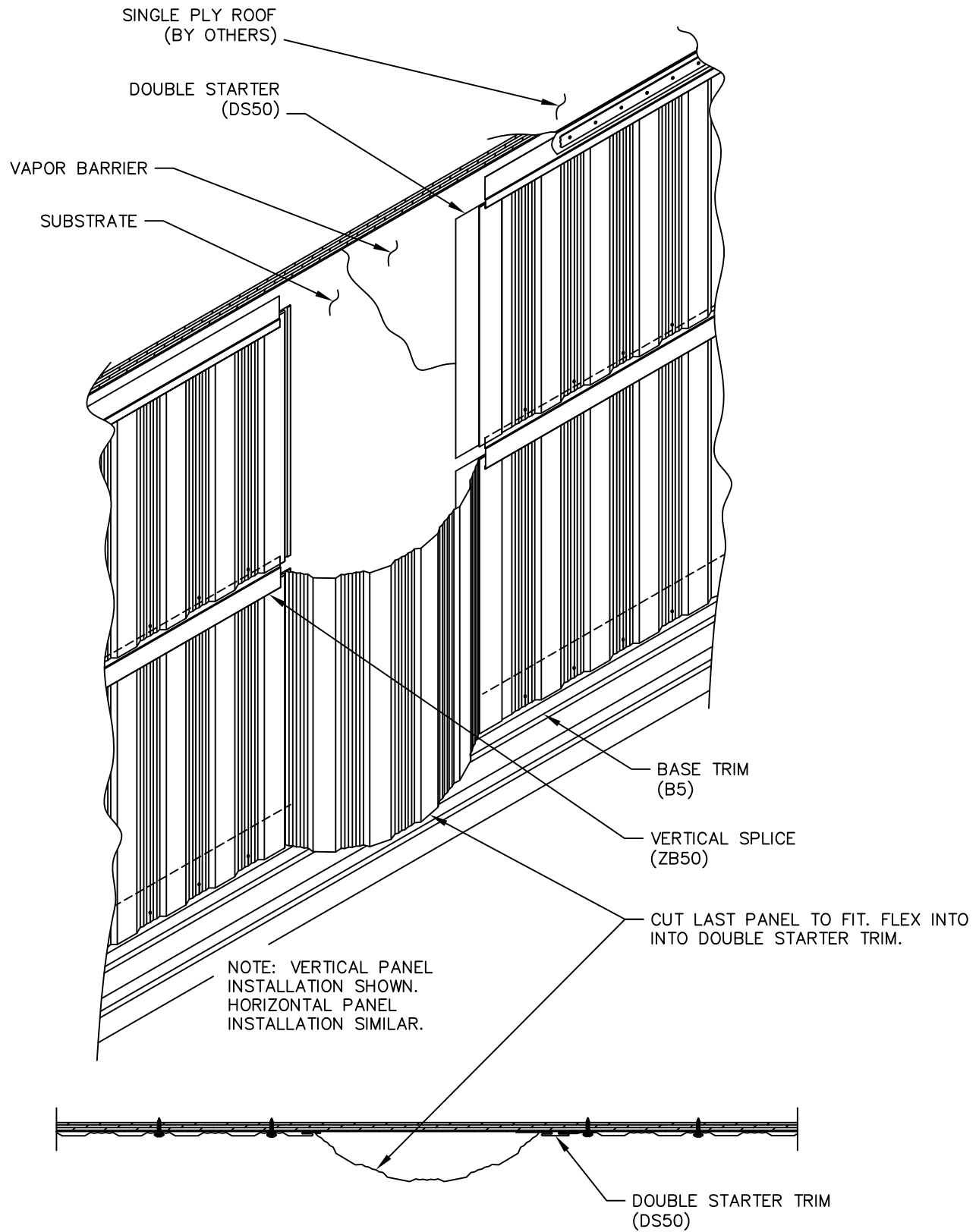
Double Starter Trim



DS50

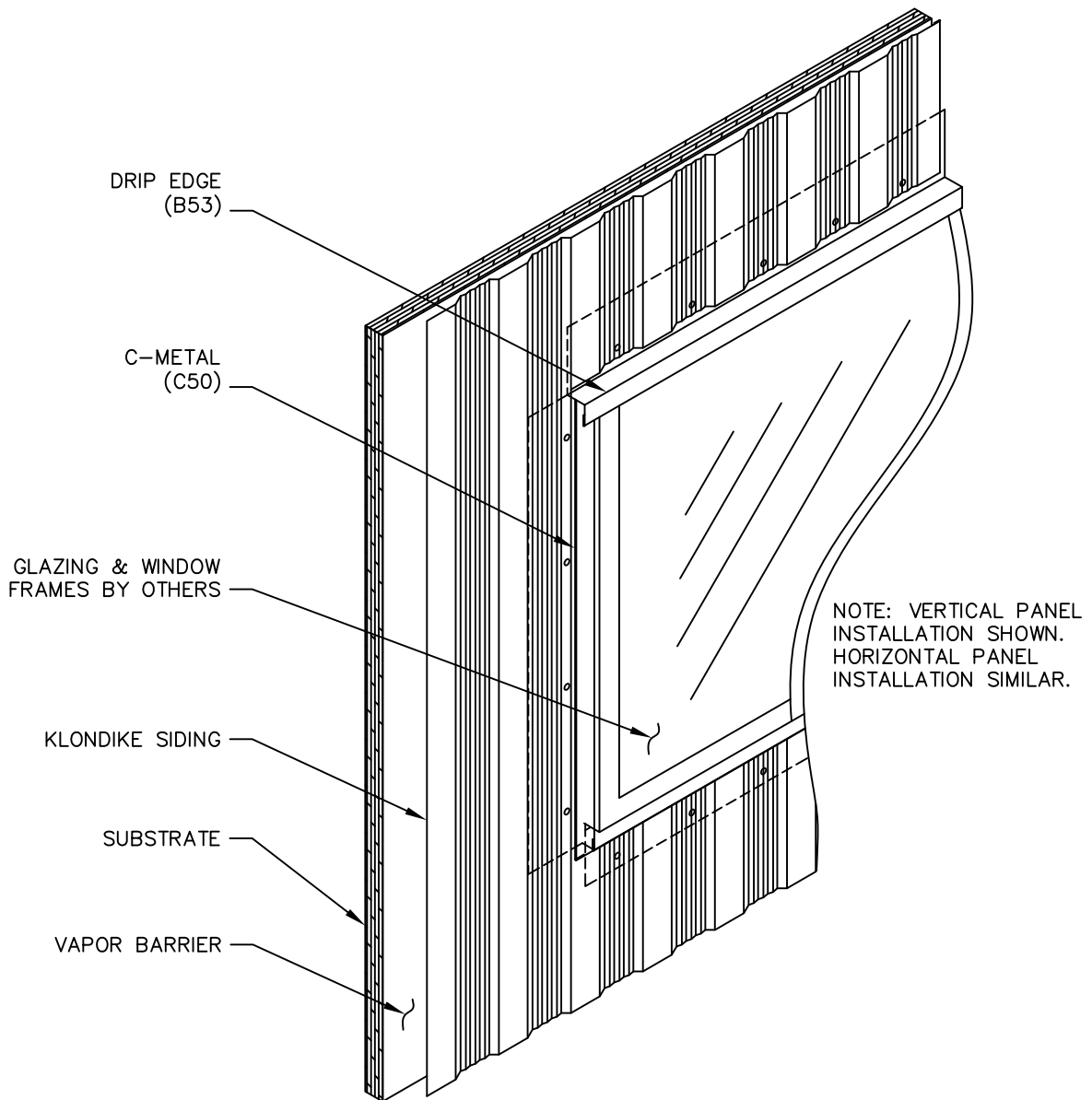
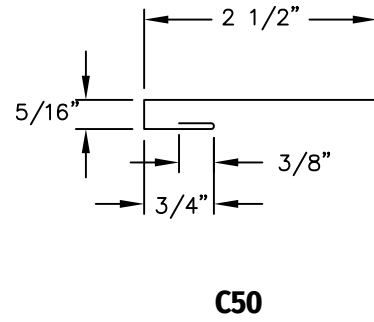
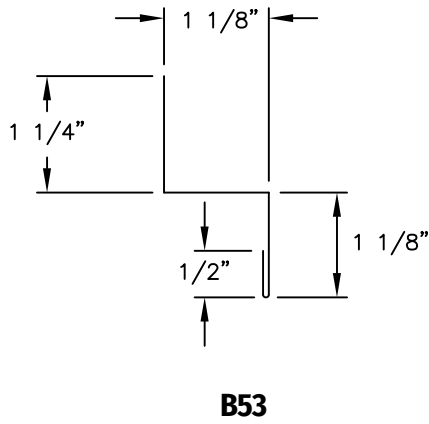


Double Starter Trim

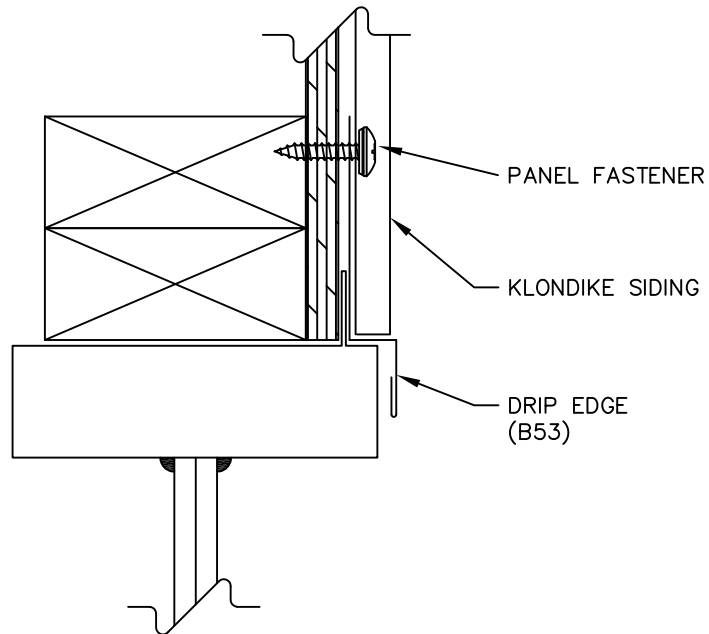


Klondike® Siding Wall Panels
Installation Guide for Klondike® Siding

Window

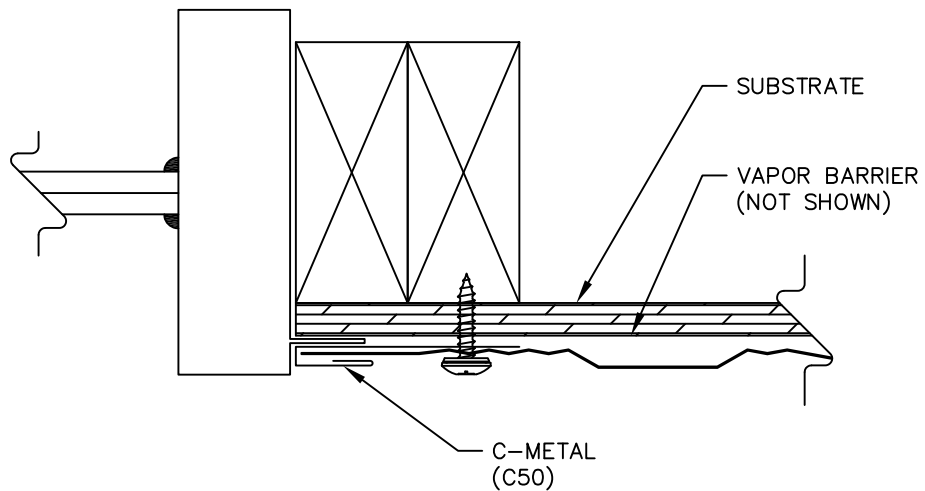


Window Details (Typical)



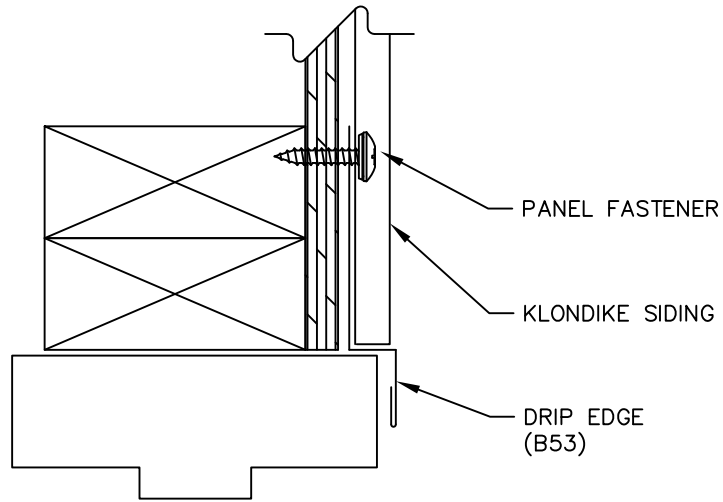
Window Header

NOTE: VERTICAL PANEL
INSTALLATION SHOWN.
HORIZONTAL PANEL
INSTALLATION SIMILAR.



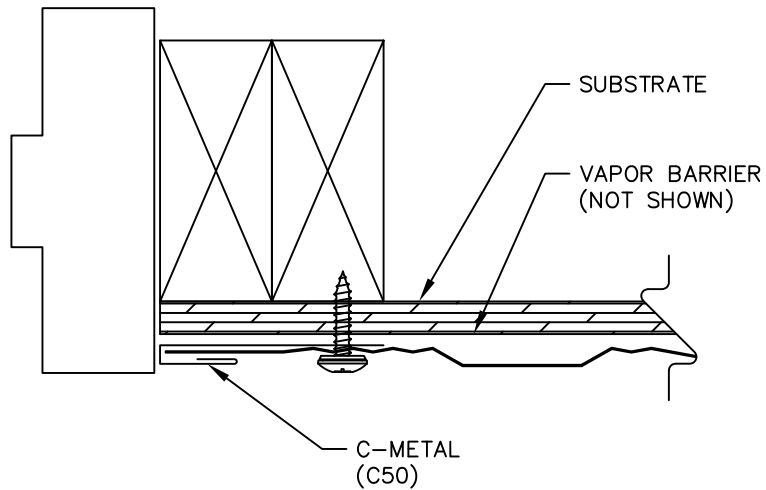
Window Jamb

Door Details (Typical)



Door Header

NOTE: VERTICAL PANEL
INSTALLATION SHOWN.
HORIZONTAL PANEL
INSTALLATION SIMILAR.



Door Jamb

Manufacturing Facilities:

Anchorage, Alaska
2441 Cinnabar Loop
Anchorage, AK 99507

Corporate Headquarters:

ASC Profiles
2110 Enterprise Boulevard
West Sacramento, CA 95691

Visit us at our website:

www.ascbp.com

